



## Product Information Bulletin

# General Purpose™ LED Lamp Program

## Introducing New General Purpose™ LED Lamp

Central Industries introduces a new line of high performance LED lamps that are perfect for everyday use. Available in a variety of shapes and sizes, these high quality LED lamps utilize state-of-the-art, high performance technology. They are extremely durable and can be used in place of standard incandescent or halogen lamps.

LED lamp technology provides improved performance over popular energy-saving compact fluorescent lamps. Substantially bright for everyday tasks, these instant-on lamps can illuminate any room in your home and are compatible with most dimmers. Use them in ceiling fixtures, recessed lighting, pendants and table lamps. Available in both warm and cool color temperatures, Central Industries General Purpose™ LEDs offer excellent color quality while conserving energy. Free of harmful mercury, these LEDs are an environmentally-friendly choice.



## Key Features and Benefits

Energy-saving LED lamps save up to **90%** in energy usage compared to similar lumen output incandescent and halogen lamps.

- Quality LED components ensure superior light output over the lifetime of LED lamp.
- Compared to Incandescent lamps, LEDs offer more significant cost savings over the life of the lamp.
- 30,000 hour lamp life lasts longer than conventional lighting.
- All lamps are fully dimmable and instant on.
- PAR20, PAR30, PAR38 - indoor/outdoor use, acceptable for damp location.
- Environmentally friendly – fully recyclable, contains no mercury or other hazardous materials.
- Cool beam - no UV or IR emissions, reduces air conditioning loads.
- Unique design with aluminum housing for cooler operation and extended lamp life.
- All items are CUL listed and ROHS compliant.

## Warnings

- MR16, A19, G25 and Torpedo lamps are rated for indoor use only. Do not use where exposed to the weather.
- Not for use in completely enclosed fixtures.
- Do not use with emergency exit fixtures or emergency exit lights.
- Risk of Electric Shock, Do Not Use Where Directly Exposed to Water.
- Do not open – no user serviceable parts inside. Turn power off before inspection, installation, or removal.
- Meets CSA, FCC and UL requirements.
- These devices comply with part 15 of the FCC rules. These products have been tested and have been found to comply with the limits for a Class B digital device, pursuant to Part 15 of the FCC rules. These limits are designed to provide reasonable protection against harmful interference in a residential installation.
- Use only on 120V AC, 60HZ circuits unless otherwise indicated.

### Applicable to MR16 LED Lamps

- Compatible with most electronic transformers.
- Intended for use on Class 2 circuits only.

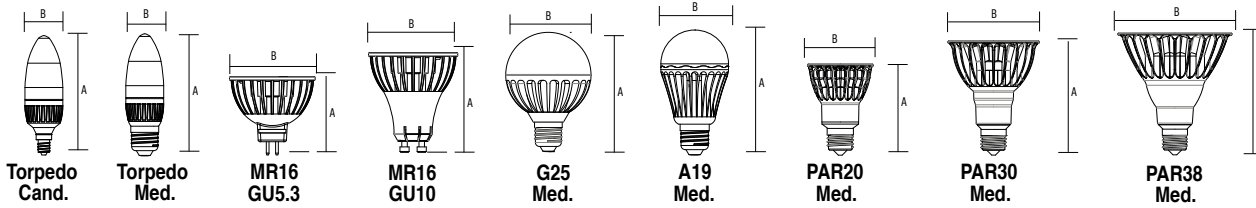
## Product Offering

Lamp Type	Base Type	Color	Watt
Torpedo	Cand.	Warm White	3.5W
Torpedo	Med.	Warm White	3.5W
MR16	GU5.3	Warm White	5W
MR16	GU5.3	Cool White	5W
MR16	GU10	Warm White	5.5W
G25	Med.	Warm White	8W
A19	Med.	Warm White	8W
A19	Med.	Cool White	8W
PAR20	Med.	Warm White	6W
PAR30	Med.	Warm White	14W
PAR38	Med.	Warm White	16W

## Application Information

LEDs are adaptable and can be used in these residential applications:

- |                        |                           |
|------------------------|---------------------------|
| Track Lighting         | Recessed Down Lights      |
| Pendant Light Fixtures | Ceiling Fixtures          |
| Decorative Fixtures    | Vanity Fixtures           |
| Table Lamps            | Outdoor Security Lighting |



Energy Used (Watts)	Lamp Base	Order No.	Domestic Code	Volts	Master Carton/Inner Pack	Equiv. Wattage	Beam Spread	Finish	Light Appearance (Kelvin)	CRI	Brightness (Lumens)	Average Rated Hours	Life (in years)*	Est. Yearly Energy Cost**	(A) MOL	(B) MOD
<b>Torpedo</b>																
3.5	Cand.	03001	4DEC/CB/LED/DIM/30/RP120	24/6	15	-	-	Warm White	3000	80	140	30,000	27.4	\$0.42	4 <sup>5</sup> / <sub>16</sub> "	1 <sup>7</sup> / <sub>16</sub> "
3.5	Med.	03002	4DEC/LED/DIM/30/RP	120	24/6	15	-	Warm White	3000	80	140	30,000	27.4	\$0.42	4 <sup>5</sup> / <sub>16</sub> "	1 <sup>7</sup> / <sub>16</sub> "
<b>MR16</b>																
5	GU5.3	03407	5MR16/LED/DIM/30/RP	12	24/6	20	30°	Warm White	3000	80	300	30,000	27.4	\$0.60	1 <sup>13</sup> / <sub>16</sub> "	2"
5	GU5.3	03432	5MR16/LED/DIM/50/RP	12	24/6	20	30°	Cool White	5000	80	330	30,000	27.4	\$0.60	1 <sup>13</sup> / <sub>16</sub> "	2"
5.5	GU10	03004	6MR16/GU10/LED/DIM/30/RP20	24/6	20	30°	Warm White	3000	80	80	300	30,000	27.4	\$0.66	1 <sup>3</sup> / <sub>4</sub> "	2"
<b>G25</b>																
8	Med.	03005	8GLOBE/LED/DIM/30/RP	120	24/6	40	-	Warm White	3000	80	400	30,000	27.4	\$0.96	4 <sup>3</sup> / <sub>8</sub> "	3 <sup>3</sup> / <sub>16</sub> "
<b>A19</b>																
8	Med.	03436	8A19/LED/DIM/30/RP	120	24/6	40	-	Warm White	3000	80	450	30,000	27.4	\$0.96	4 <sup>3</sup> / <sub>8</sub> "	2 <sup>3</sup> / <sub>8</sub> "
8	Med.	03437	8A19/LED/DIM/50/RP	120	24/6	40	-	Cool White	5000	80	490	30,000	27.4	\$0.96	4 <sup>3</sup> / <sub>8</sub> "	2 <sup>3</sup> / <sub>8</sub> "
<b>PAR20</b>																
6.5	Med.	03007†	7PAR20/LED/DIM/30/RP	120	24/6	35	34°	Warm White	3000	80	380	30,000	27.4	\$0.72	3 <sup>5</sup> / <sub>8</sub> "	2 <sup>5</sup> / <sub>8</sub> "
<b>PAR30</b>																
12	Med.	03008†	12PAR30LN/LED/DIM/30/RP20	24/6	65	34°	Warm White	3000	80	80	730	30,000	27.4	\$1.69	4 <sup>3</sup> / <sub>4</sub> "	3 <sup>13</sup> / <sub>16</sub> "
<b>PAR38</b>																
13	Med.	03009†	13PAR38/LED/DIM/30/RP120	24/6	75	34°	Warm White	3000	80	80	840	30,000	27.4	\$1.93	5"	4 <sup>3</sup> / <sub>4</sub> "

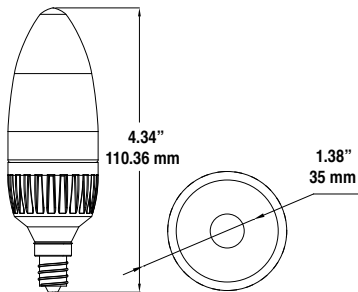
All General Purpose™ LED lamps are packaged in a retail box.

† Approved for Damp Location

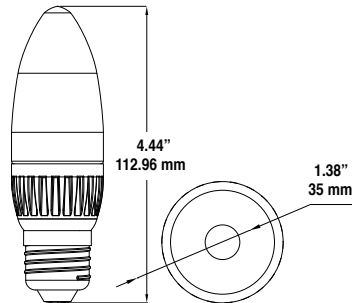
\* Based on 3 hrs./day \*\* Based on 3 hrs./day 11¢/k/Wh - Cost depends on rates and use.

## Technical Information

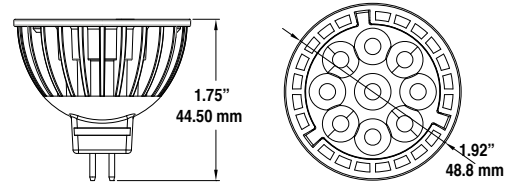
### 3.5W Torpedo Cand. Base



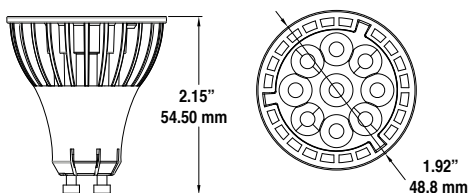
### 3.5W Torpedo Med. Base



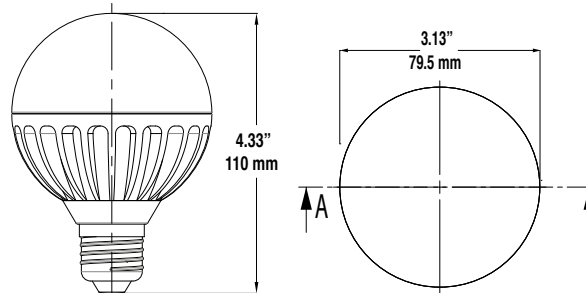
### 5W MR16 GU5.3 Base



### 5.5W MR16 GU10



### 8W G25 Med. Base



## Limited Warranty

These lamps are warranted to be free from defects in material and workmanship for 3 years (based on burning 3 hours a day).

**NOTE: MR16 Dimmer Compatibility**

The Dimmer Compatibility for the MR16 is based upon the interaction between the low voltage transformer and the low voltage dimmer. Each transformer manufacturer determines dimmer compatibility. Please see below for transformer compatibility.



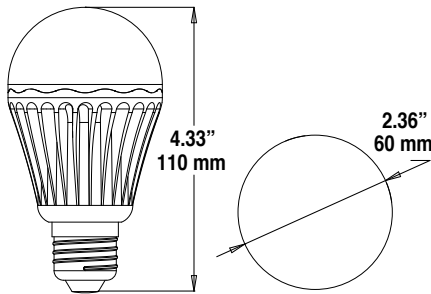
**MR16 GU5.3 Base LED Transformer Compatibility**

Brand	Model	Input Voltage (VAC/Hz)	Power Rating (W)	Type	Number of MR16 Lamps per Transformer					
					1	2	3	4	5	6
Aceosia Lighting	NA	120 VAC, 50-60 Hz	50	ET	G	G	G	G	G	G
Dais	DA-E60	240 VAC, 50-60 Hz	60	ET	G	G	G	G	G	G
FSL	EA-HF50	230 VAC, 50-60 Hz	50	ET	G	F	F	F	F	F
Hatch	RS12-60M	120 VAC, 50-60 Hz	50	ET	G	G	G	G	G	G
	RS12-60M-230M	230 VAC, 50-60 Hz	50	ET	G	G	G	G	G	G
Hsien Long	L-12250	240 VAC, 50-60 Hz	50	ET	G	G	G	G	G	G
	L-12150	115 VAC, 50-60Hz	50	ET	G	G	G	G	G	G
Klight	KL-787E	110-130 VAC, 50-60Hz	50	ET	G	G	G	F	F	F
Lightech	ELSLLI (LET 60)	120 VAC, 50-60 Hz	50	ET	G	G	G	G	F	F
NVC	ET60E	230 VAC, 50-60 Hz	50	ET	G	G	G	G	G	G
OTS Electric Group	ZX/105W	230 VAC, 50-60 Hz	50	ET	G	G	G	G	G	G
OPPLE	DB602-220/12	230 VAC, 50-60 Hz	50	ET	G	G	G	G	G	G
Osram	HTM 105/230-240	230 VAC, 50-60 Hz	60	ET	G	G	G	G	G	G
PHILIPS	ET-E 60 220-240	230 VAC, 50-60 Hz	50	ET	G	G	F	F	F	F
SPC	SPCL-8W-120060	100-240 VAC, 50-60 Hz	7.2	ET	G	N/A	N/A	N/A	N/A	N/A
	SPCL-6W-120050	100-240 VAC, 50-60 Hz	6	ET	G	N/A	N/A	N/A	N/A	N/A
TCL	ET50S	230 VAC, 50-60 Hz	50	ET	G	F	F	F	F	F
WAC	EN-12100-R-AR	120 VAC, 50-60 Hz	50	ET	G	G	G	G	G	G

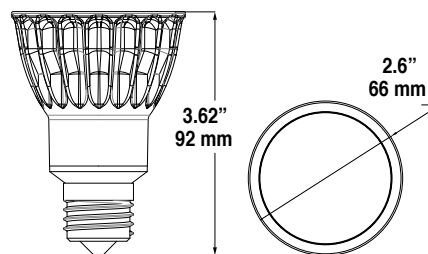
Type  
ET - Electronic Transformer

Quality rating  
G G - Good     N/A N/A - Exceeds Transformer Recommended Power  
F F - Flickers

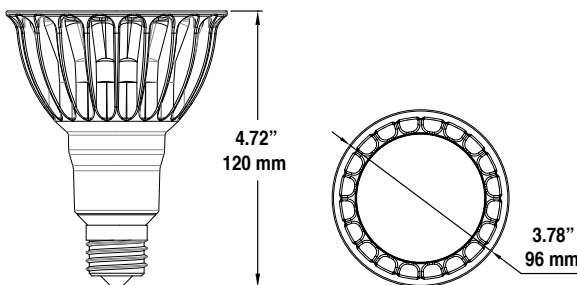
**8W A19 Med. Base**



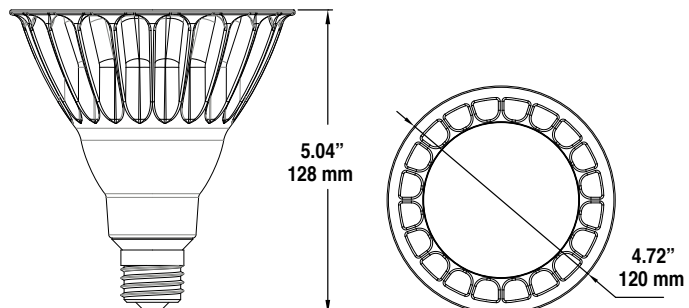
**6W PAR20 Med. Base**



**14W PAR30 Med. Base**



**16W PAR38 Med. Base**



## Dimmer Compatibility

### TORPEDO LED

Brand	Model
Daiko	DP-34401
Diing Chung	DC-306
Leviton	TBI03
Lutron	Lumea LGCL-153PL, Lumea LG-600P, Toggler TG-600PNL, 6681, Diva DVCL-153PL, Skylark SELVB-300P, Skylark S-603P, Skylark S2-L, Maestro MA-600 Digital,
Panasonic	WN576149, WN575149, WN57512

### G25 LED

Brand	Model
Daiko	DP-34401
Diing Chung	DC-306
Leviton	TBI03
Lutron	Lumea LGCL-153PL, Lumea LG-600P, Toggler TG-600PNL, 6681, Diva DVCL-153PL, Skylark SELVB-300P, Skylark S-603P, Skylark S2-L, Maestro MA-600 Digital,
Panasonic	WN576149, WN575149, WN57512

### PAR20 LED

Brand	Model
Daiko	DP-34401
Diing Chung	DC-306
Leviton	TBI03
Lutron	Lumea LGCL-153PL, Lumea LG-600P, Toggler TG-600PNL, 6681, Diva DVCL-153PL, Skylark SELVB-300P, Skylark S-603P, Skylark S2-L, Maestro MA-600 Digital,
Panasonic	WN576149, WN575149, WN57512

### PAR38 LED

Brand	Model
Daiko	DP-34401
Diing Chung	DC-306
Leviton	TBI03
Lutron	Lumea LGCL-153PL, Lumea LG-600P, Toggler TG-600PNL, 6681, Diva DVCL-153PL, Skylark SELVB-300P, Skylark S-603P, Skylark S2-L, Maestro MA-600 Digital,
Panasonic	WN576149, WN575149, WN57512

### MR16 GU10 LED

Brand	Model
Daiko	DP-34401
Diing Chung	DC-306
Leviton	TBI03
Lutron	Lumea LGCL-153PL, Lumea LG-600P, Toggler TG-600PNL, 6681, Diva DVCL-153PL, Skylark SELVB-300P, Skylark S-603P, Skylark S2-L, Maestro MA-600 Digital,
Panasonic	WN576149, WN575149, WN57512

### A19 LED

Brand	Model
Daiko	DP-34401
Diing Chung	DC-306
Leviton	TBI03
Lutron	Lumea LGCL-153PL, Lumea LG-600P, Toggler TG-600PNL, 6681, Diva DVCL-153PL, Skylark SELVB-300P, Skylark S-603P, Skylark S2-L, Maestro MA-600 Digital,
Panasonic	WN576149, WN575149, WN57512

### PAR30 LED

Brand	Model
Daiko	DP-34401
Diing Chung	DC-306
Leviton	TBI03
Lutron	Lumea LGCL-153PL, Lumea LG-600P, Toggler TG-600PNL, 6681, Diva DVCL-153PL, Skylark SELVB-300P, Skylark S-603P, Skylark S2-L, Maestro MA-600 Digital,
Panasonic	WN576149, WN575149, WN57512